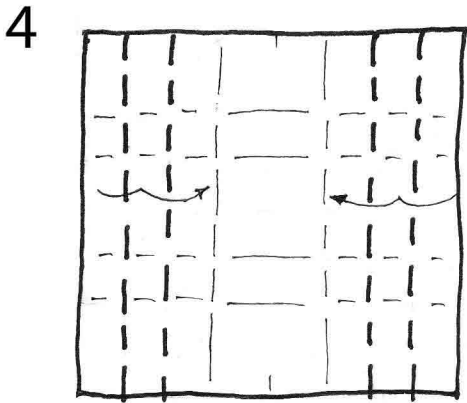
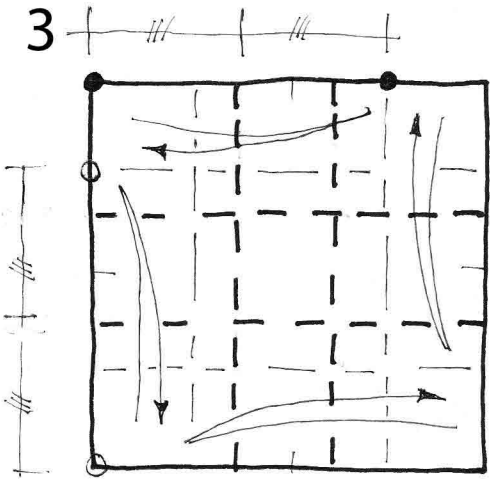
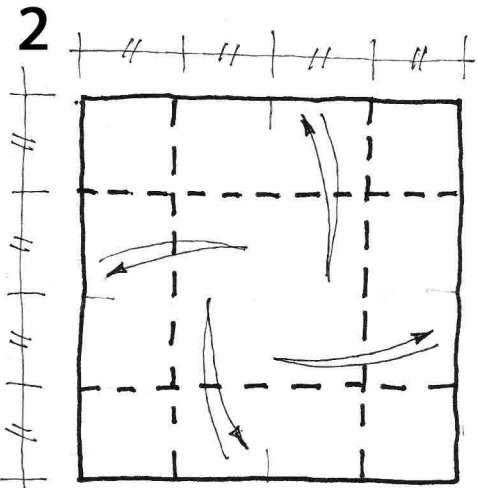
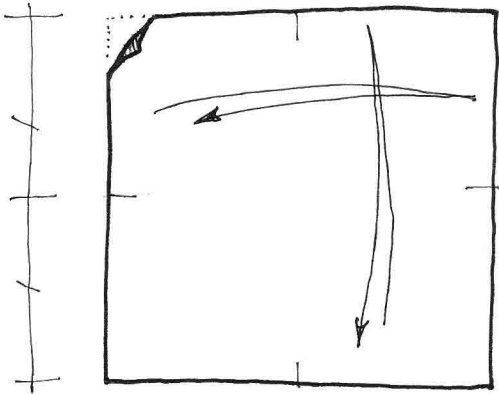


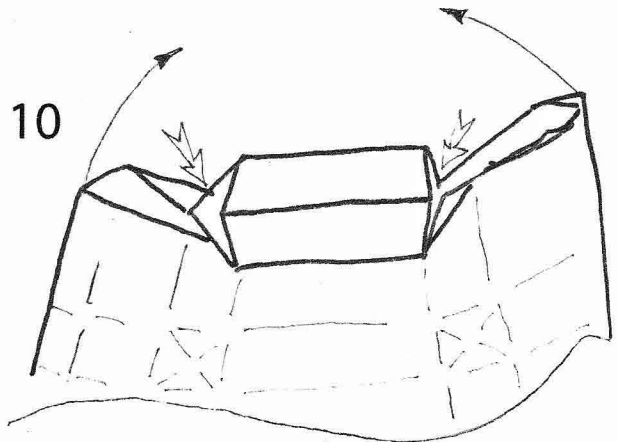
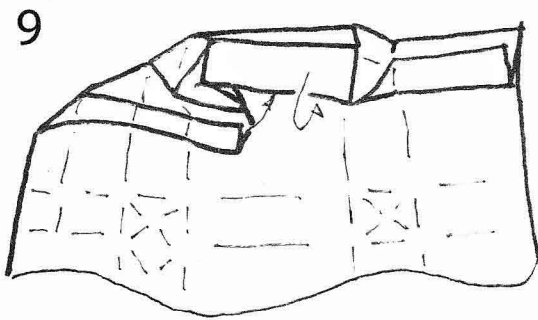
# Double compartment box

by

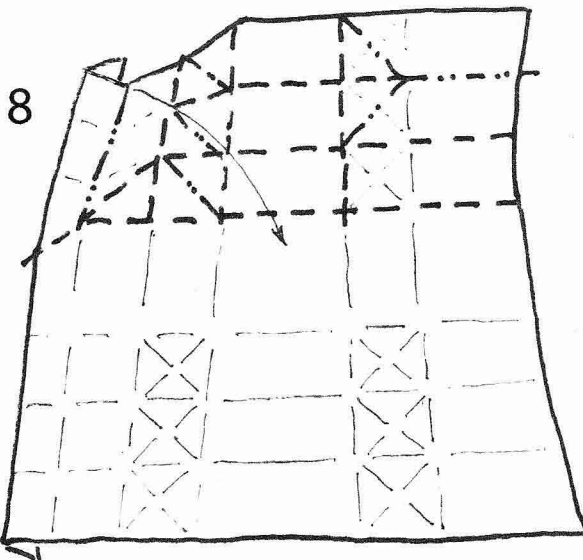
Dave Brill (c) 2008  
 from an idea by Mario Centurelli

Use a 24 cm square to obtain a box 6 x 6 x 3 cm

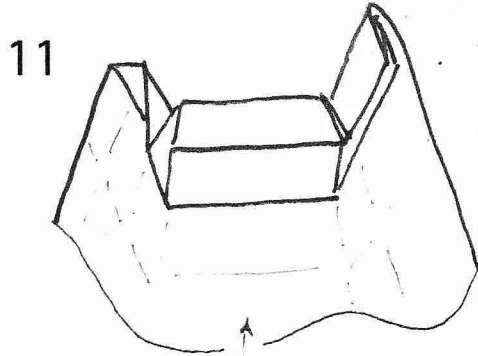




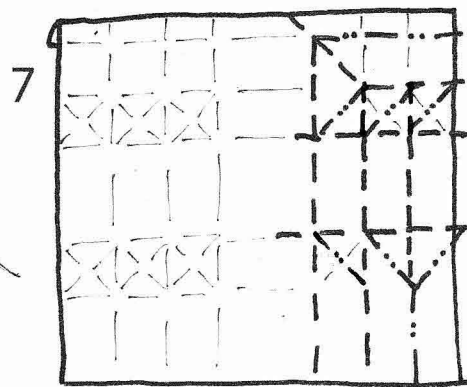
Push in at each end to form one compartment.



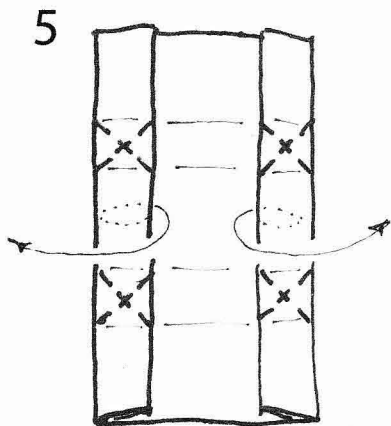
Start to collapse the upper half.  
Note the 3 parallel diagonal mountain folds collapse in a twisting spiral motion.



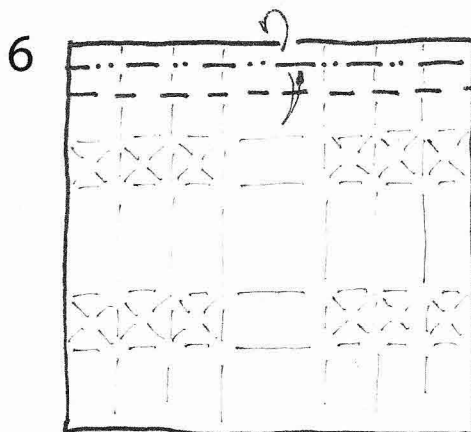
Repeat the collapsing shown in the previous steps, on the lower half.



Adjust the creases as shown.

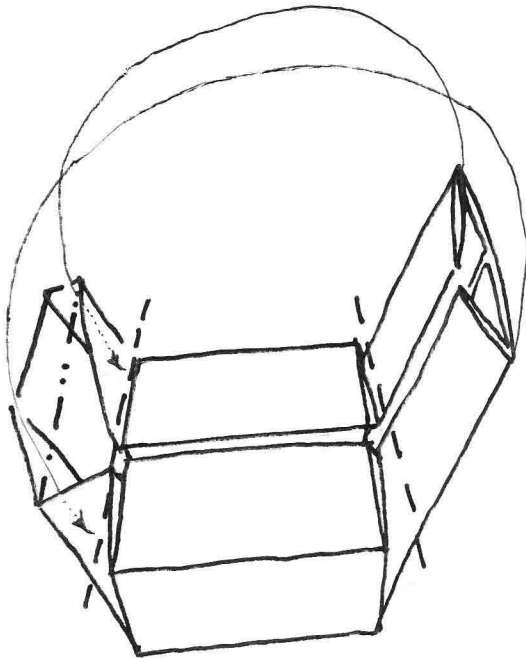


Precrease valley folds on all layers. Then open up.



Mountain fold  
1/16th

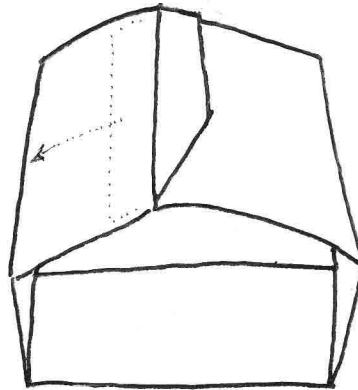
12



Insert longer end into shorter end  
behind diagonal folded edges

13

Push in completely to flatten box top



14

