

Heart I

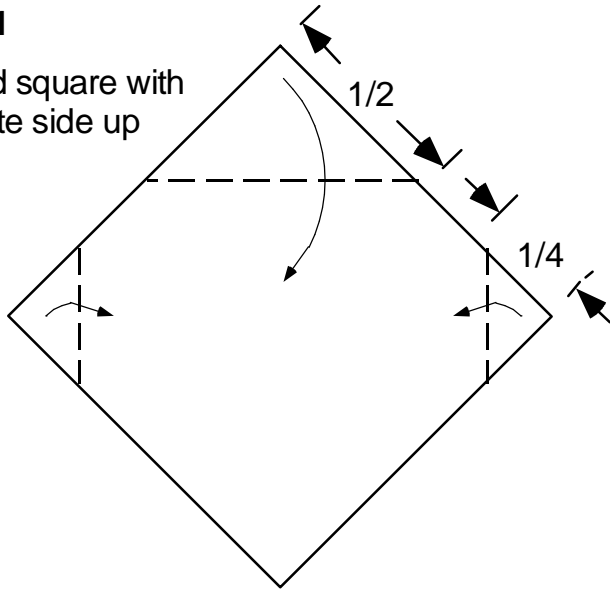
designed by **Sy Chen** (6/1996)

diagrammed by **Sy Chen** (6/1996)

© 1996 Sy Chen

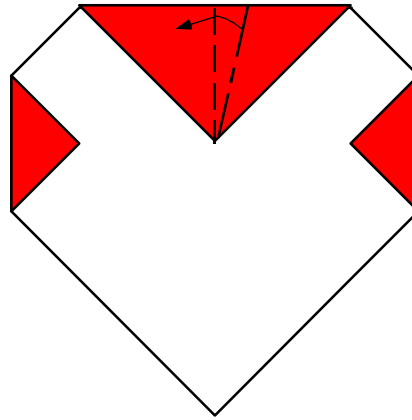
1

Red square with
white side up

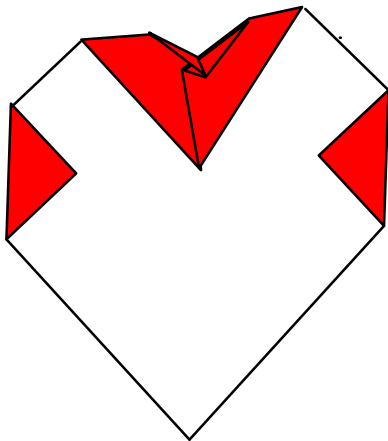


2

Pleat and make center part
downward (concave). Heart won't
stay flat anymore.

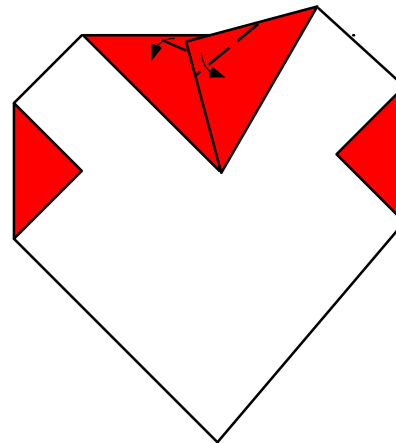


4



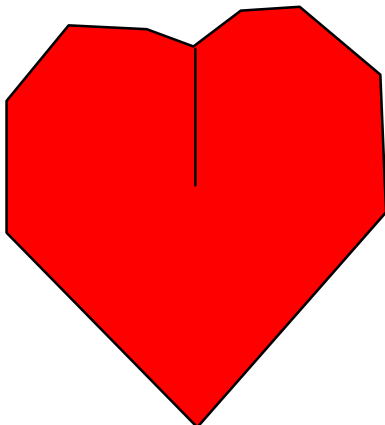
3

Fold them at the same time



Turn
over

5



Judgement: Adjust crease size or angle in
step 2 or 3 to add your own
taste

Challenge: Can you make a bigger
heart out of
a same sized square?