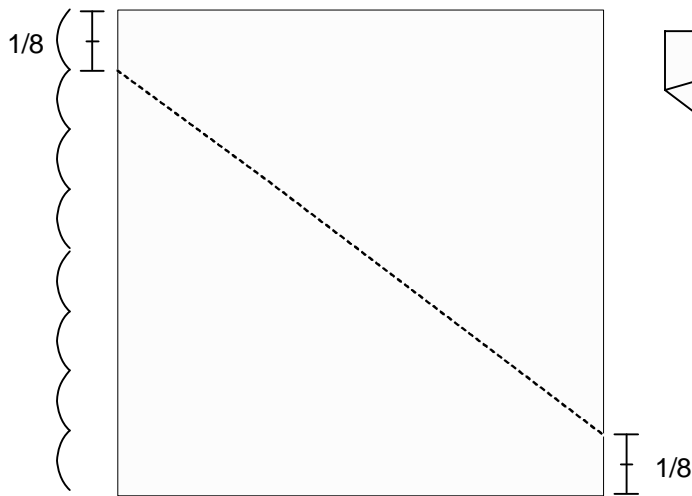


# Two Fold Angelfish by J.C. Nolan (Jan '95)

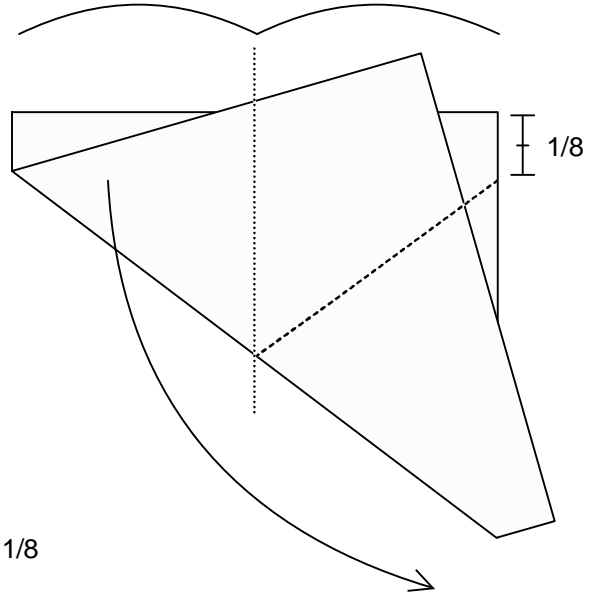
© '95

Beginner (Pureland)

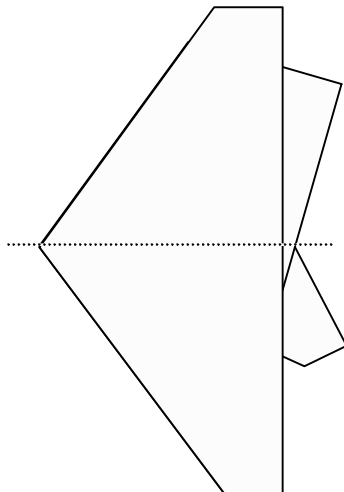
Fold from a square of paper colored the same on both sides. If two-color paper is used start with the colored side down for a predominantly white model. A 4" piece of paper produces a model 4" high.



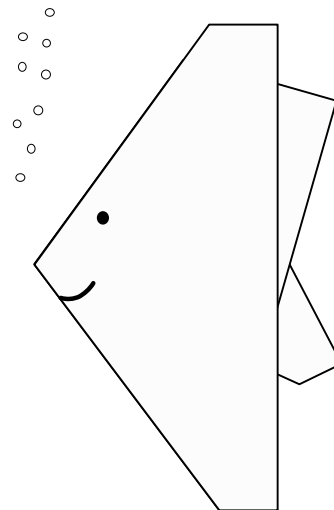
1. Please note, the extra symbols are for those who prefer having landmarks. Feel free to estimate.



2. Please note, see previous note.



3. The dotted line is to help show how things line up.



4. Complete the model with a smiley-face.